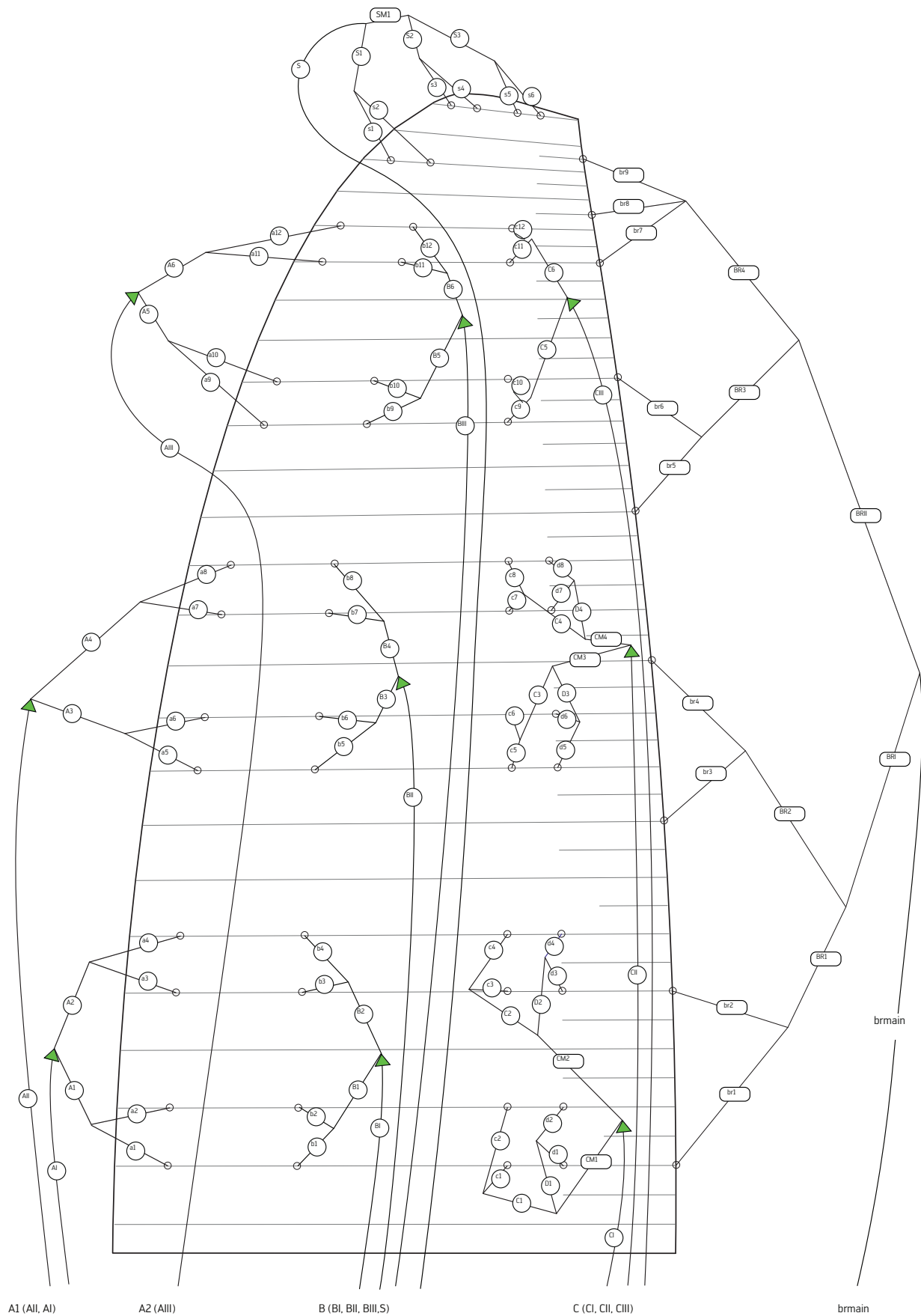


LINE SCHEMATIC

This line schematic is only for illustration purposes.



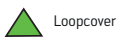
A1 (AI, AII)

A2 (AIII)

B (BI, BII, BIII, S)

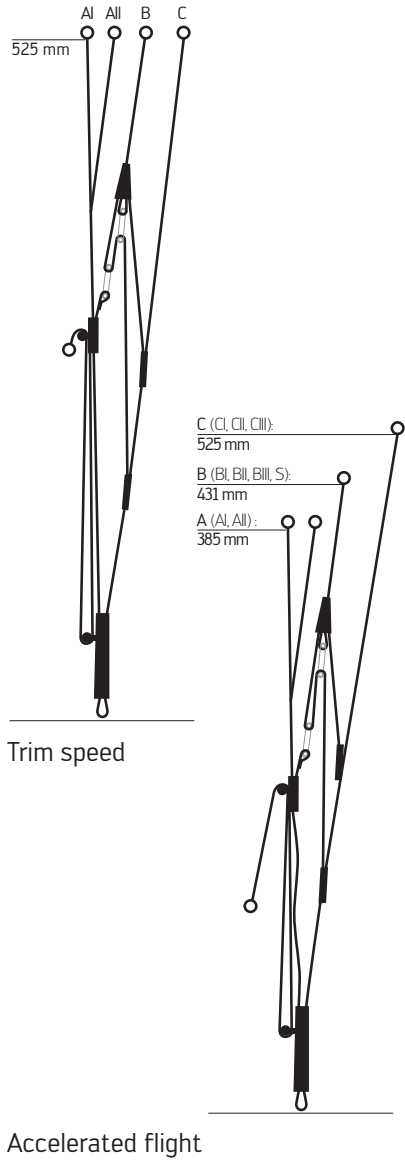
C (CI, CII, CIII)

brmain

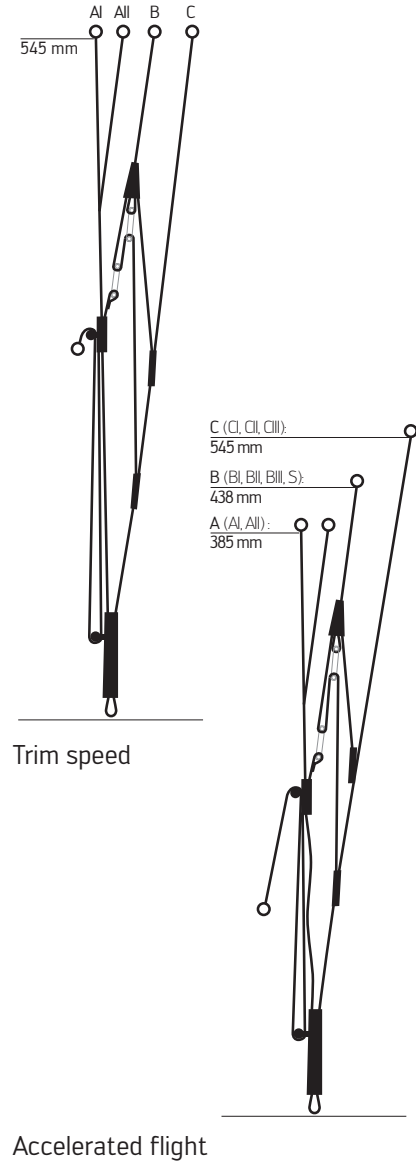


RISERS

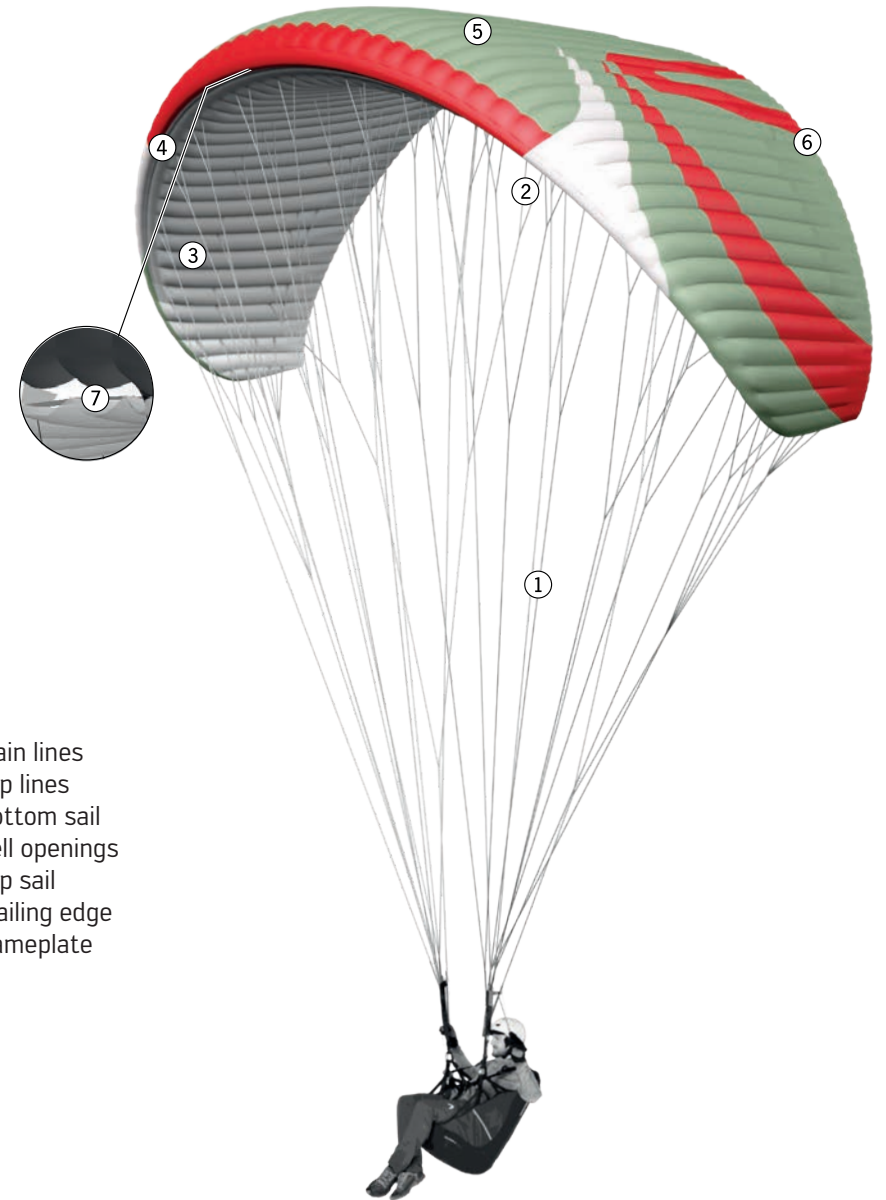
ARRIBA4, size XXS and XS



ARRIBA4, size S, M and L



OVERVIEW GLIDER



- 1 Main lines
- 2 Top lines
- 3 Bottom sail
- 4 Cell openings
- 5 Top sail
- 6 Trailing edge
- 7 Nameplate